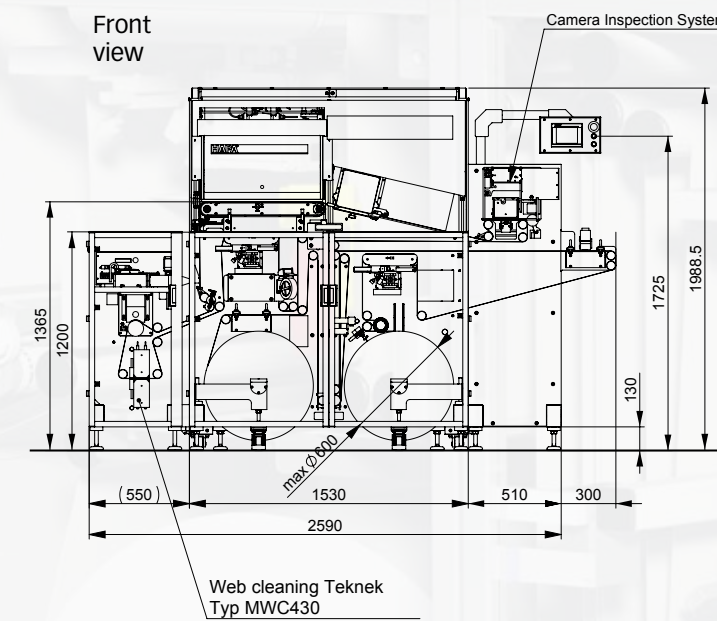
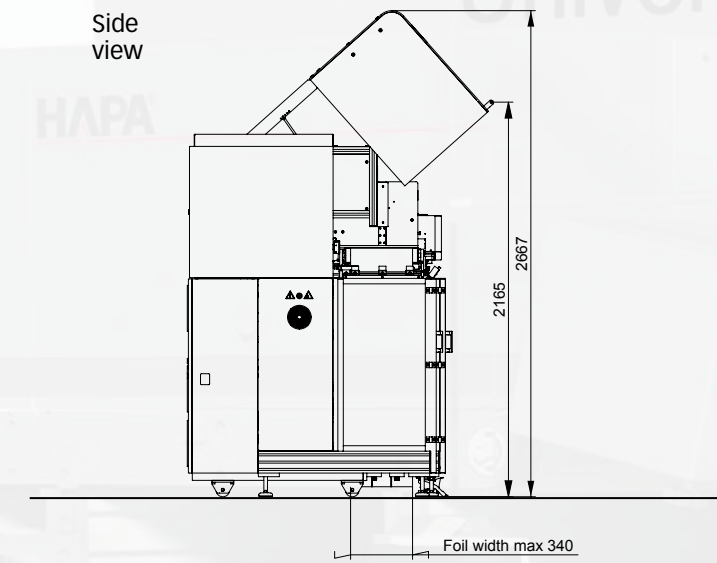


## Technical Data Universal Label Printer



### General Values

Web width min. - max. in mm	30 – 340
Printing width max. in mm	0 – 288
Printing speed max. in m/min	54
Print resolution in dpi	720
Roll diameter max. in mm	600
Colors	W, CMYK, L

### Weight

Weight approx. in kg	1600
----------------------	------

### Power supply

Supply voltage in V	380 - 480 3PNE
Frequency in Hz	50 / 60
Input voltage in kVA	22



## Unmatched Performance

Hapa's On Demand and Just-in-Time print solutions are in operation around the world. At work on pharmaceutical, cosmetics, food, medical and other packaging lines, our systems are robust and reliable, and backed by over 80 years of innovations. A global network of support and service teams ensures our systems always perform at their best.



Scan the QR code with your smart phone to view the Universal Label Printer online. Or go to ["hapamedia.ch/ULP"](http://hapamedia.ch/ULP)

### Hapa AG

Chriesbaumstrasse 4  
8604 Volketswil  
Switzerland  
Phone +41 43 399 32 00  
Fax +41 43 399 32 01  
info@hapa.ch  
www.hapa.ch

A Company of **coesia** GROUP

## Universal Label Printer

Turn-key Flexibility

ULP D-800-801 019-en V1404 subject to modifications



## UV DOD Label Printer

Hapa developed the Universal LP, working in tandem with a label converter, to meet the demands for inset printing and printing white on transparent roll-fed materials. The system is a fully-digital, UV DOD process printer that combines speed, print quality and control with unparalleled material capacity. It works equally well with pre-printed or blank materials in reel diameters up to 600mm.



A Company of **coesia** GROUP



Strategy  
 CMYK  
 Lacquer  
 UV DOD  
 Print Quality  
 Design  
 Material Strategy  
 Precision  
 Flexibility



## Plan Short Runs into Your Profit Strategy

The Universal LP not only helps you meet your needs for white printing. This On Demand and Just-in-Time system helps you optimize your responses to requests for one-offs, limited runs and special promotions, as well as variable printing and serialization. Turn small-volume orders into a lucrative trade and expand your label and foil operations. Be the answer to your clients' SKU nightmares. Help them eliminate recalls, operate leaner and more profitably.

### Speed with Premium Results

Mastering speeds of up to 54 m/min and a resolution of 720 dpi, the Universal LP enhances your production throughput while maintaining the premium quality of print and graphics that your customers demand.

### CMYK, White, Spot & Lacquer

The Universal LP prints CMYK / spot plus white. It facilitates overprinting as well as under-base printing for color vibrancy & opacity even on transparent materials. For effect-coating, lacquer can be applied to cover the entire label or to register to printed fields. Maintenance of each print head is automated.

### White UV DOD Inks

The white UV DOD inks were designed and developed by Hapa for the Universal LP. An increased density of white pigments secures one-pass opacity, even with problematical substrate surfaces. Hapa developed an inking unit to keep the ink's heavy white particles from settling. This "continual flow system" replaces the need to purge the ink heads after production downtimes. The print head, as a result, is always print-ready.

### Pre-treatment and Drying

Integrated web-cleaning and corona stations come standard, for the specific pre-treatment of materials. A foil heating station is available as an option. Two UV LED lamps are integrated within the print module to pin the first laid inks, preventing color bleeding. A separate UV curing unit, comprised of two UV lamps (UV LED lamps optional), provides the final curing of the inks. Mounted on tracks, the unit can be adjusted to the inks' and substrates' individual flow and curing variables, thus optimizing print results.

### Design Your Print Module

The system's print module is highly adaptable. It facilitates a tailored arrangement of print heads for white and CMYK, plus the flexible configuration of pinning stations, spot colors, and lacquer. You design your print module, adding what you need where you need it.

### The Sensor Story

The system is equipped with several sensor functions. Any change in material thickness, due to the presence of glue, folds, or other material defects, is detected immediately by the label thickness sensor. Detection of defects triggers the automatic lifting of the printing unit, to protect the print heads. Another sensor detects any missing labels. The empty field is then left unprinted, allowing for a replacement label to be set in. Further sensors detect pre-printed fields as well as label edges to enable the exact placement and control of the ink, necessary for precision inset printing. Camera inspection systems are also available.

### Material Handling Sophistication

Material throughput is consistently smooth. A bi-direction vacuum transport system pulls the material under the print heads and the pinning stations safeguarding color fidelity. Web tension can be adjusted to prevent glue seepage on the roll. Printed materials leave the machine production ready.

### Precision Flexibility

The Universal LP supports the greatest variety of applications. Print what you want, how you want it, when you want it with the highest quality print. Use any label material, as well as many additional roll-fed materials, including aluminum, medical paper, Tyvek, plastic films and laminates. The choice is yours. The system is engineered to the highest manufacturing standards.

# Universal Label Printer



### Legend – Universal Label Printer

- 1. Splice table (infeed) 2. Infeed dancers 3. Web guide (infeed) 4. Web edge sensor 5. Web cleaning station – sticky counter-roller pulls dirt from material 6. Corona station 7. Label thickness sensor – 2 adjustable rollers detect change in material thickness – folded, bubbled, or wrinkled label = no print (printing unit lifted to protect head) 8. Foil heating station (optional) – temperature setting on control panel 9. Label edge sensor &/or Print-position sensors – 4 point measure of pre-print position = precision inset printing 10. Print module facilitates flexibility – 6 position capacity for white + CMYK + spot colors + lacquer + pinning stations 11. Adjustable UV curing unit – 2 UV lamps / UV LED lamps – mounted on track 12. Camera inspection system (option) 13. Outfeed dancers (double) 14. Splice table (outfeed) 15. Web guide (outfeed) 16. Rewinding tension control - feeds and regulates tension of material rolled onto rewinder

### Key Features

- > White + CMYK/spot colors + lacquer
- > Serialization, randomizing and code printing available
- > Format-free operation
- > Fully-digital data transfer
- > User-friendly – few manual adjustments necessary during batch run
- > Color touch-screen control panel
- > Two UV, LED pinning stations
- > UV curing unit – adjustable, mounted on track
- > Automatic print head maintenance
- > Integrated splicing table
- > Anti-static station
- > Corona station
- > Web cleaning station
- > Label thickness sensor
- > Print margin sensors
- > Label margin sensors
- > Bi-directional vacuum material transport system
- > Lacquer – two methods of application
- > Adjustable roll tension

### Key Options

- > Camera inspection system
- > Foil heating station
- > UV curing unit outfitted with LED lamps

