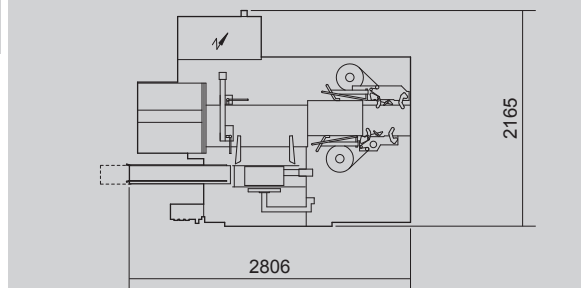
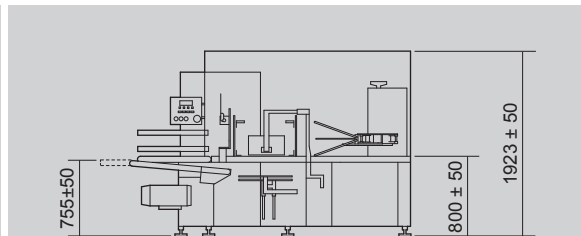
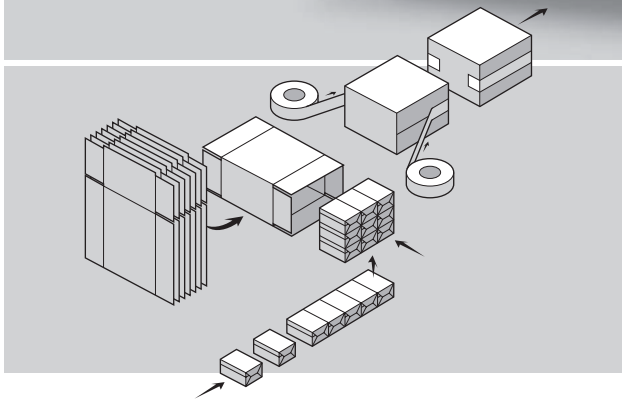
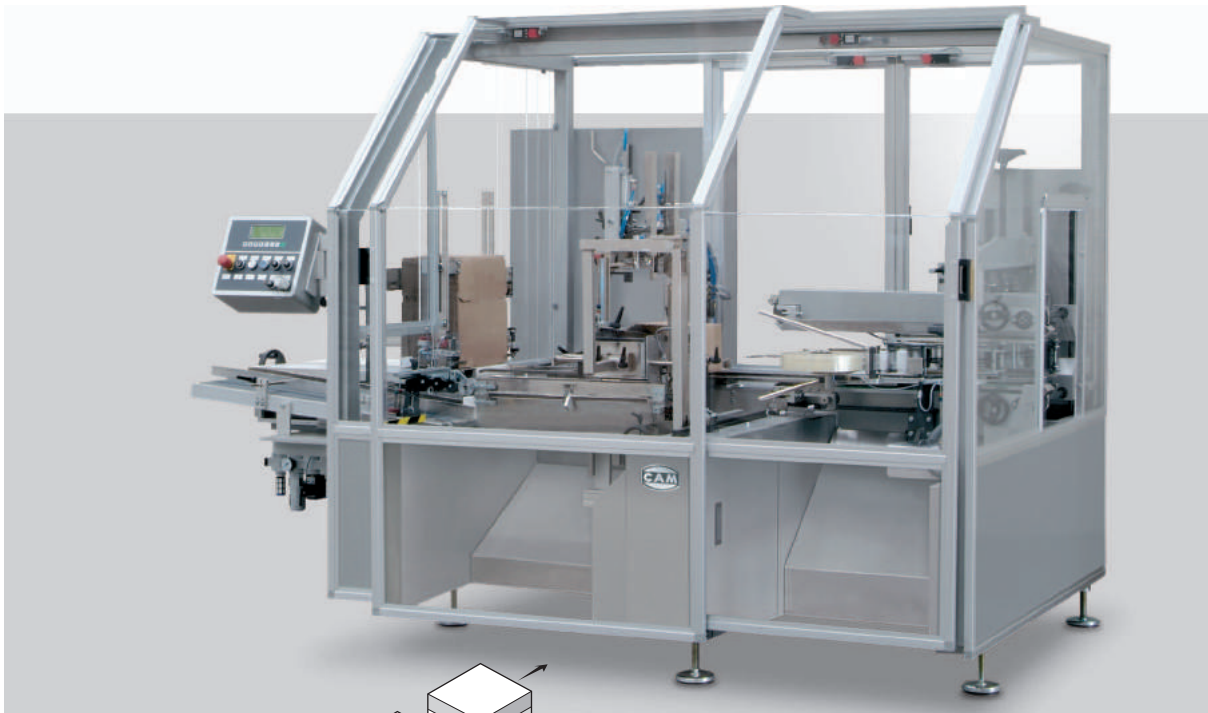


This publication supersedes and replaces any previous edition and revision. All rights reserved.
 No part of this publication may be reproduced, stored in a retrieval system or transmitted in any form
 or by any means, electronic, mechanical, photocopying, recording or otherwise, without permission
 of Tecnicam s.r.l. (Bologna - Italy).
 The technical data are not binding and may be subject to change without prior notice.

SMP

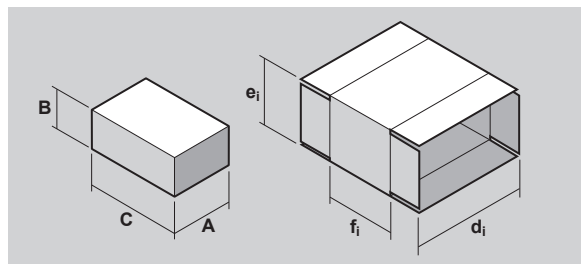
Horizontal case-packer for shipping cases



TECHNICAL DATA

Mechanical speed	STROKES/1'	max. 10
Power absorption	KW	5.6 (Hot-melt + 3.5)
Air consumption	NI/1'	700
Air pressure	bar	5+6
Gross weight	kg	~2150
Net weight	kg	~1750

Size range	min.	max.
A	20	545
B	12	70
C	50	200
d_i	200	550
e_i	120	350
f_i	120	350



FM-SMP-02-uk (10/11/2014)